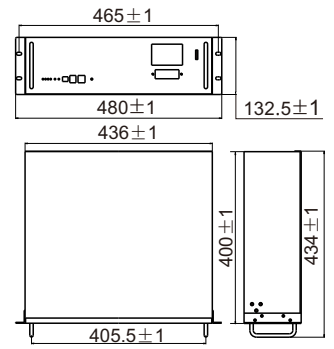


# LFelLi-4830 (48V 30Ah)

- Intra-system balancing
- Flame retardant system to UL94V-0
- Good high temperature performance
- High cycle times and long service life
- Safe Lithium Iron Phosphate Technology
- Thousands of cycles, under normal conditions
- High energy density and conversion efficiency
- Environmental Friendly, without any heavy metals
- Complete with Battery Management System built-in
- Can use most standard VRLA chargers for this system
- Low self discharge rate of 2 years before required recharging
- Easy installation, can be in 19-inch standard cabinet or be wall-mounted
- Built-in automatic protection for over-charge, over-discharge & over-temperature conditions



## Dimensions-mm



## Characteristic

Item	Specification	
Model	LFelLi-4830A	LFelLi-4830B
Rated Capacity (5HR)	30 AH	30 AH
Nominal Voltage	51.2 V	51.2 V
Discharge Ending Voltage	43.2 V	43.2 V
Charging Limited Voltage	57.6 V	57.6 V
Max. Charging Current	25.0 A	25.0 A
Max. Continue Discharging Current	25.0 A	25.0 A
Weight	Approx. 20 Kg	Approx. 20 Kg
Display	Without a display screen	With a LCD display screen
Parallel Connection	Parallel connection is optional (up to 16P). When paralleling, the max. charging current is 10A.	
Dimensions (W*D*H) mm (inches)	436 (17.17") * 400 (15.75") * 132.5 (5.22")	
Containing Cell	3.2V 30AH	
Design Life	More than 10 years	
Cycle Life	More than 3000 cycles at 80% DOD	
IP Class	IP30	
Outer Package Material	White bake lacquer steel case (battery rack or cabinet is optional)	
Operating Temperature	Charging: 0 to +45°C    Discharging: -20 to +60°C    Storage: -20 to +60°C	

## Discharge Table

Constant Current Discharge Table (Amperes) at 25°C								
Model	Voltage	Time	1 h	2 h	3 h	4 h	5 h	10 h
LFelLi-4830A	End of discharge voltage 43.2 V	/	/	14.5 A	10 A	7.5 A	6 A	3 A
LFelLi-4830B	End of discharge voltage 43.2 V	/	/	14.5 A	10 A	7.5 A	6 A	3 A

Constant Power Discharge Table (Watts) at 25°C								
Model	Voltage	Time	1 h	2 h	3 h	4 h	5 h	10 h
LFelLi-4830A	End of discharge voltage 43.2 V	/	/	720 W	480 W	362 W	291 W	146 W
LFelLi-4830B	End of discharge voltage 43.2 V	/	/	720 W	480 W	362 W	291 W	146 W

